

SALMET®

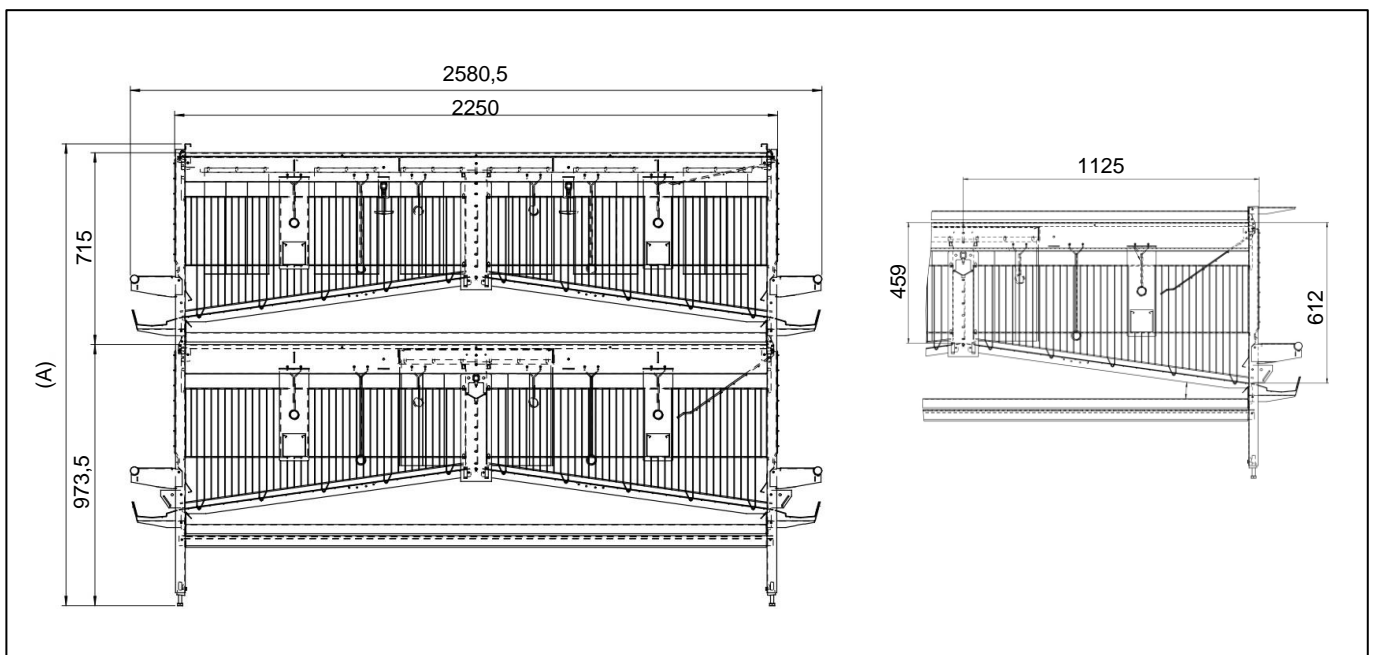
... for your success!

SALMET - Universal COLONY SYSTEM UCS



... for your success!

SALMET - Universal COLONY SYSTEM UCS



Length	3600 mm	141,7 "
Depth	1125 mm	44,3 "
Compartment Surface	40500 cm ²	6277,5 in ²
Nest Surface	3444 cm ²	533,8 in ²
Floor Space/Bird	750 cm ²	116,3 in ²
Feeding Space/Bird	13,3 cm	5,2 "
Perch Space/Bird	15,2 cm	6,0 "
No. of Birds*	54	

* according to European Directive 1999/74/EC

	Row Height (without catwalk)	
	(A) Feed Chain	
3 Tiers	2437 mm	95,94 "
4 Tiers	3152 mm	124,09 "
5 Tiers	3867 mm	152,24 "
6 Tiers	4582 mm	180,39 "
7 Tiers	5297 mm	208,54 "
8 Tiers	6012 mm	236,69 "

Technical details are subject to change 2016

