

SALMET®

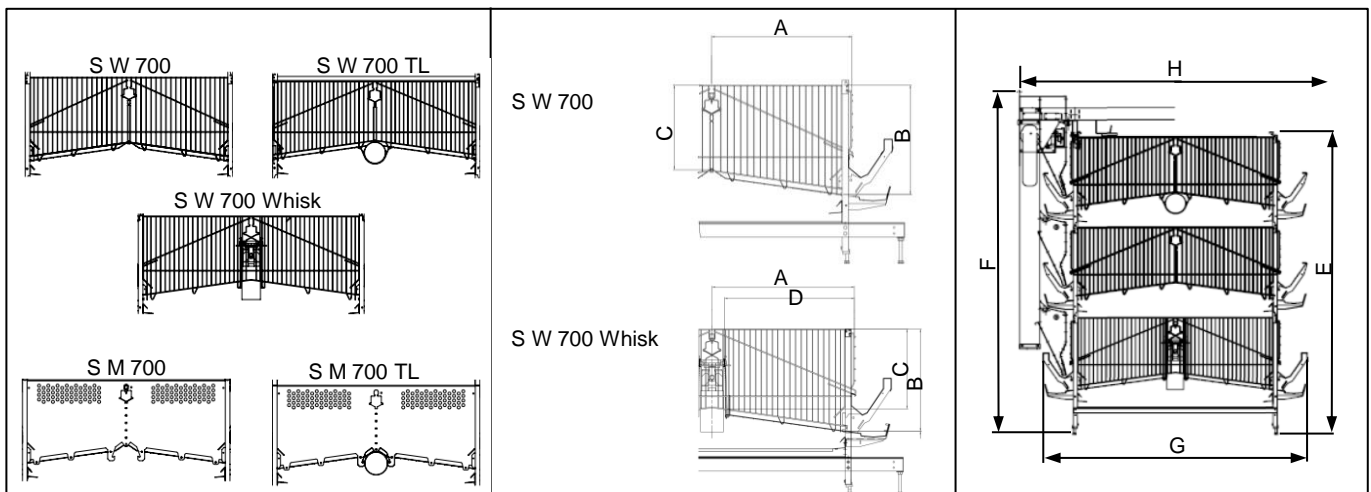
... for your success!

SALMET - S700 „LayerSystem“



... for your success!

SALMET - S700 „Layer System“



	S700/560 (576 mm)		S700/615 Whisk (625,5 mm)		S700/615 (625,5 mm)	
Length	700 mm	27,6 "	700 mm	27,6 "	700 mm	27,6 "
Depth (A)	576 mm	22,7 "	568,5 mm	22,4 "	625,5 mm	24,6 "
Max. Height (B)	450 mm	17,7 "	450 mm	17,7 "	450 mm	17,7 "
Min. Height (C)	348 mm	13,7 "	352 mm	13,9 "	341 mm	13,4 "
Compartment Area	4032 cm ²	625,0 in ²	3980 cm ²	616,8 in ²	4379 cm ²	678,7 in ²
Depth to Rear Partition (D)			625,5 mm	24,6 "		
Compartment Area *			4379 cm ²	678,7 in ²		
Floor slope	8°	14%	8°	14%	8°	14%

* Depending on local regulations

Tiers	Row Height (without catwalk)			
	Feed Chain (E)		Feed Hopper (F)	
3 Tiers	1894 mm	74,55 "	2169 mm	85,37 "
4 Tiers	2458 mm	96,75 "	2733 mm	107,58 "
5 Tiers	3022 mm	118,96 "	3297 mm	129,78 "
6 Tiers	3586 mm	141,16 "	3861 mm	151,99 "
7 Tiers	4150 mm	163,37 "	4425 mm	174,19 "
8 Tiers	4714 mm	185,57 "	4989 mm	196,40 "
9 Tiers	5278 mm	207,78 "	5553 mm	218,60 "
10 Tiers	5842 mm	229,98 "	6117 mm	240,81 "
11 Tiers	6406 mm	252,19 "	6681 mm	263,01 "
12 Tiers	6970 mm	274,39 "	7245 mm	285,22 "

		Cage Width			
		Trough to Trough (G)		Feed Hopper to Feed Hopper (H)	
S700/560	Feed Hopper	1485 mm	58,46 "	1793 mm	70,59 "
	Feed Chain	1509 mm	59,41 "		
S700/615	Feed Hopper	1584 mm	62,36 "	1892 mm	74,49 "
	Feed Chain	1608 mm	63,31 "		



Technical details are subject to change 2016