

SALMET®

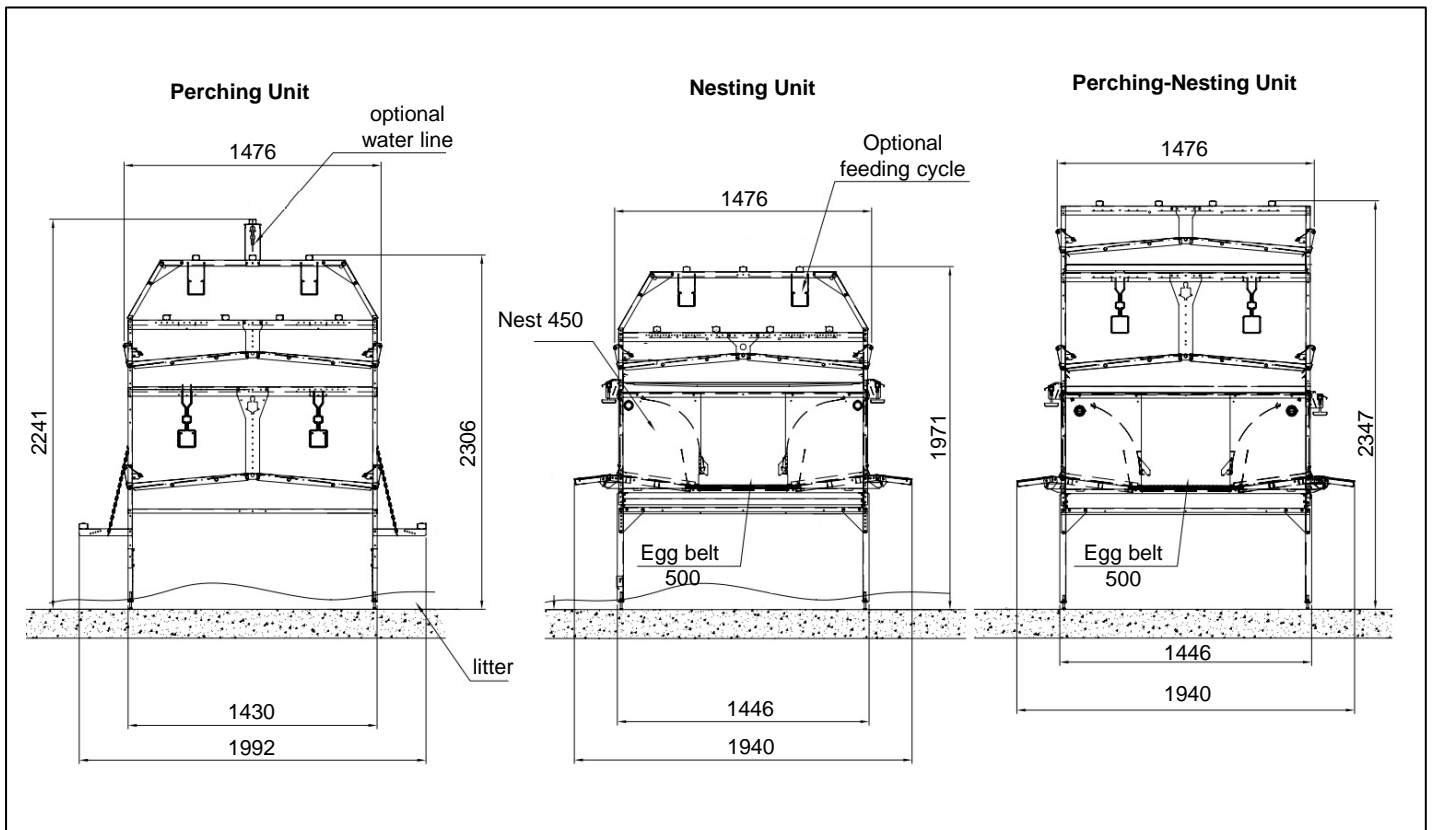
... for your success!

SALMET - Combi Barn System



... for your success!

SALMET - Combi Barn System



	Perching Unit		Nesting Unit		Perching-Nesting Unit	
	Standard	Optional	Standard	Optional	Standard	Optional
Perches	13		9		10	
Drinker lines	-	1	2		2	
Feeder line	4		-	2	2	
Nipple/m	6		6		6	
Section Length	1250 mm		1250 mm		1250 mm	



Technical details are subject to change 2015